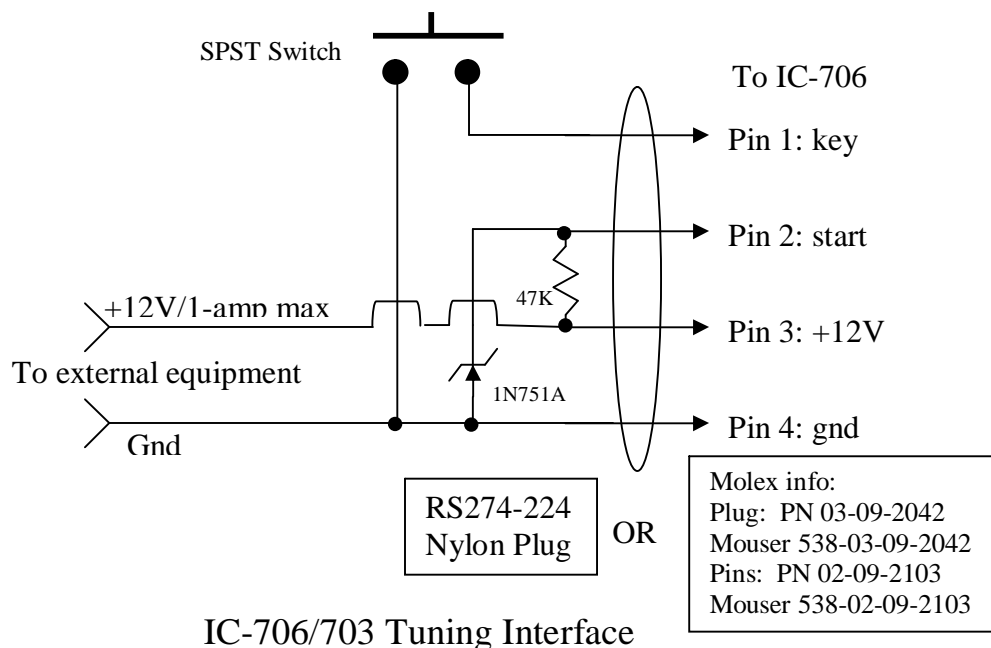
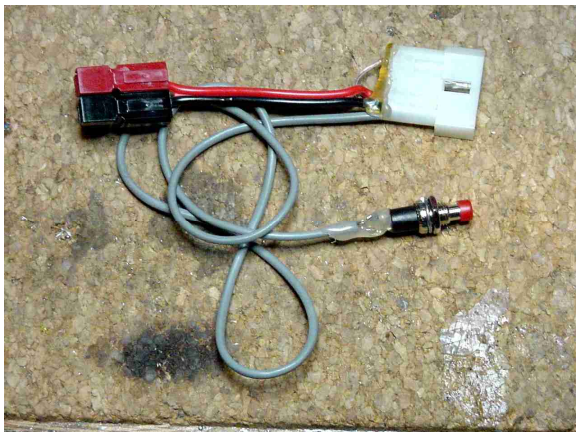


IC-706MKIIG Tuning Control Phil Salas – AD5X

This is the tuning interface I use with my IC-706MKIIG and IC-703. It should work with any of the IC-706 and IC-703 series radios, as well as the IC-7000. The circuit is very simple. Rather than use the “tune” button on the IC-706G, I use a separate momentary SPST pushbutton switch as shown, though obviously a toggle or slide switch could also be employed. The 47K resistor between connector pins 2 and 3 “tells” the IC-706G that a tuner is connected (the 10K resistor is soldered directly on the Molex plug), and the 1N751A zener clamps the voltage to 5VDC (required by the IC-7000, but also works fine on the IC-706/703). The resistor and Zener diode mount directly on the Molex plug and are held in place with hot glue. This way I don’t have to mess with the big capacitor and a fixed tuning time that other tune interfaces employ. I also provided a 12V output so that you can power external equipment from the IC-706G if desired, as long as the current requirement is less than 1-amp.



IC-706/703 Tuning Interface



Simple IC-706/703 tuning interface