

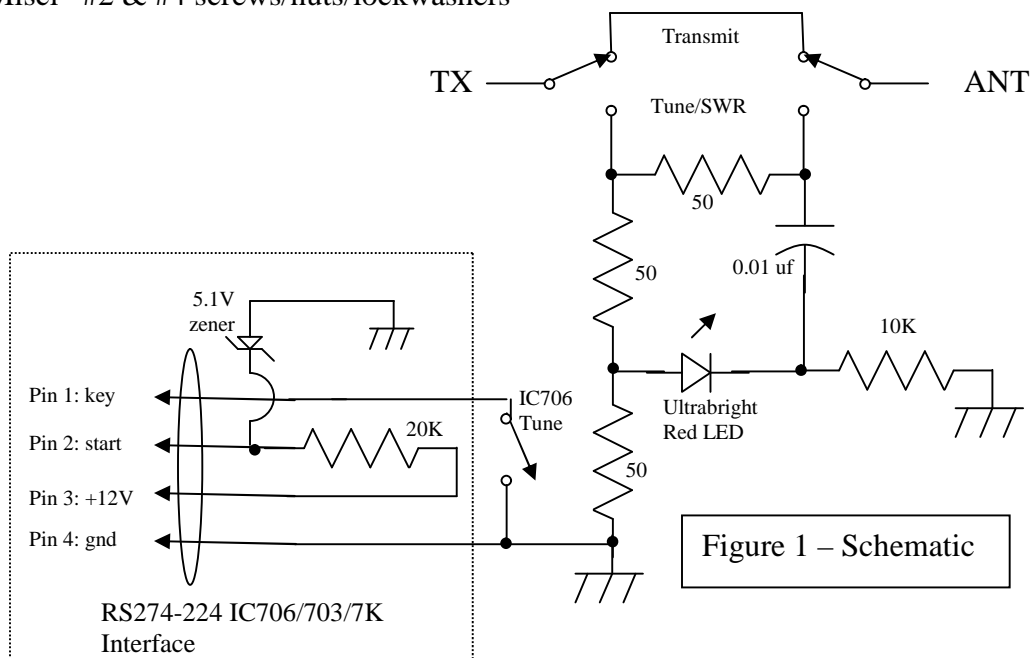
The Tenna-Tune 2: SWR tuning indicator - Now IC-7000 compatible thanks to K0BG
 By Phil Salas – AD5X

This updates the Tenna-Tune (December 2004 QST Hints & Kinks) with a 4PDT slide switch to simultaneously put an IC-706/703/7000 in the “tune” mode when the SWR bridge is in-line, and uses a LED as both an SWR indicator and RF detector (eliminates a diode and capacitor). Scrape paint away from where the power resistors mount and use heat-sink grease under the power resistors. Alan Applegate K0BG provided information to make this IC-7000 compatible.

For screwdriver tuning, start with the antenna in its minimum-length position. Push the slide-switch to “Tune”, and then run the screwdriver antenna motor until the SWR LED dims noticeably or goes out. Now flip the slide switch to “BYPASS” and you’re ready to go. A good SWR indication occurs with just 2-5 watts of power. Don’t exceed more than about 20-25 watts during tune-up.

Parts List

Qty	Description	Source	Cost
3	50 Ω 15-watt resistor	Mouser 684-MP915-50	\$2.78 ea
1	4PDT Slide Switch	Mouser 629-GF6426010	\$1.02
1	Mini-box (2.25x1.5x1.38”)	Mouser 537-M00-P	\$3.63
1	0.01 uf 500V capacitor	Mouser 75-5HKSS10	\$0.26 ea
1	10K ¼-watt resistor	All Electronics 10K	10/\$0.50
1	20K ¼-watt resistor	All Electronics 20K	10/\$0.50
1	6000mcd red LED	All Electronics LED-94	\$0.75
1	Heat sink grease	Radio Shack 276-1372	\$1.99
1	4-pin Molex plug	Radio Shack 274-224	\$1.19
2	SO-239 RF connectors	All Electronics SO-239	\$1.00 ea
1	5.1V zener diode	All Electronics 1N4733	4/\$1.00
Miscl	#2 & #4 screws/nuts/lockwashers		



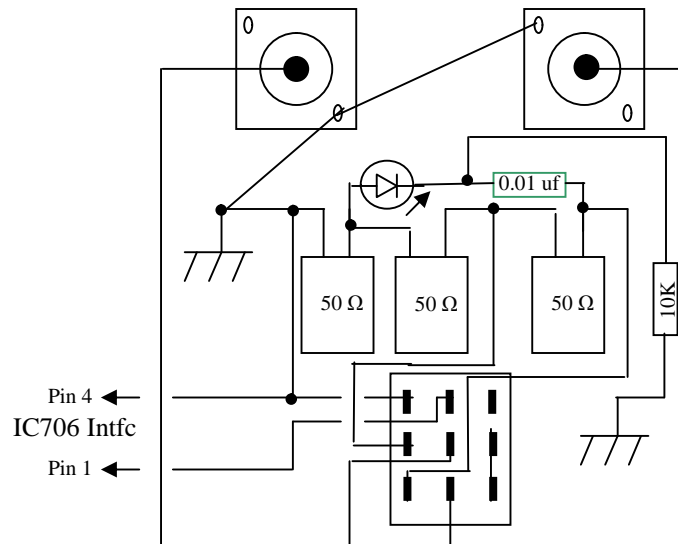


Figure 2 – Physical Wiring Diagram. View as if box is opened out in a flat plane. The LED is front panel mounted. The 4th switch row pins (unused) is not shown.

